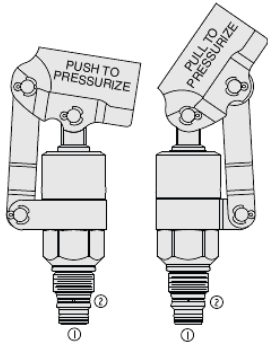




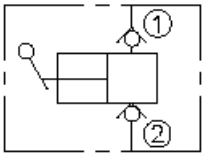
Overview

**Description**

The hp10-21a is a push to pressurize hand pump with two built in checks. It is a screw in, cartridge type hand pump for use with general purpose hydraulic oils. The hand pump beam rotates around the vertical axis for 360° handle positioning. The hand pump CAN be used as an emergency device at electrical power failures.



**Symbol**



Ratings

**Pressure Ratings**

Pressure rating 207 bar (3000 psi)  
 Suction pressure 193 mm-Hg (7.6 in-Hg) - **Note:** Less than atmospheric pressure

**Flow Ratings**

Maximum internal leakage 0.25 ml/min (5 drops/min) - **Note:** From port 2 to the inside of the pump.  
 Maximum at 207 bar (3000 psi)

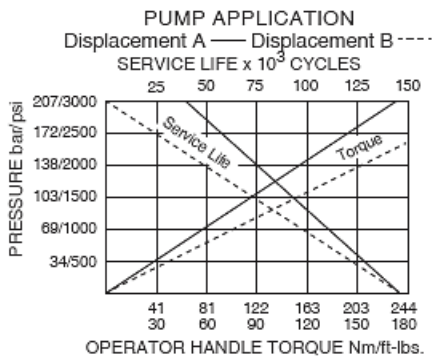
**Temperature Ratings**

Operating fluid temperature -40 to 120 °C (-40 to 248 °F)

Properties

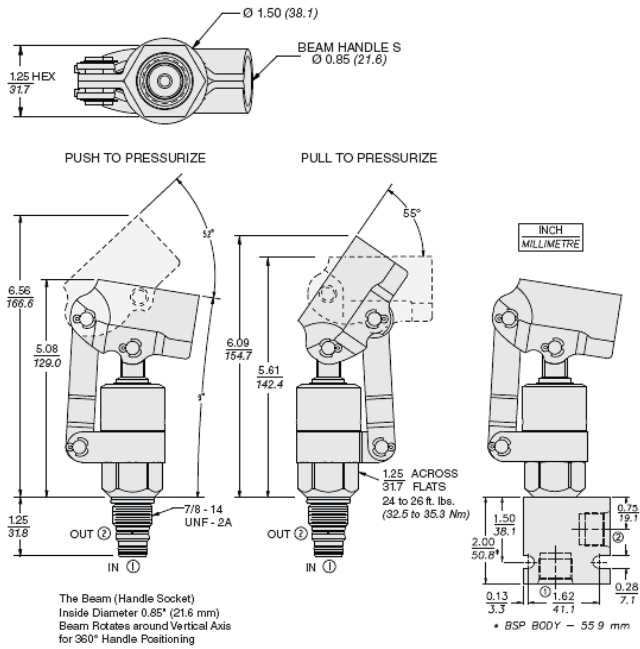
Displacement 7.4 ml (0.45 in<sup>3</sup>) - **Note:** Per stroke  
 Unit weight 0.86 kg (1.9 lb) - **Note:** Pump cartridge  
 0.18 kg (0.4 lb) - **Note:** Body

Performance





## Dimensions



## Installation Specifications

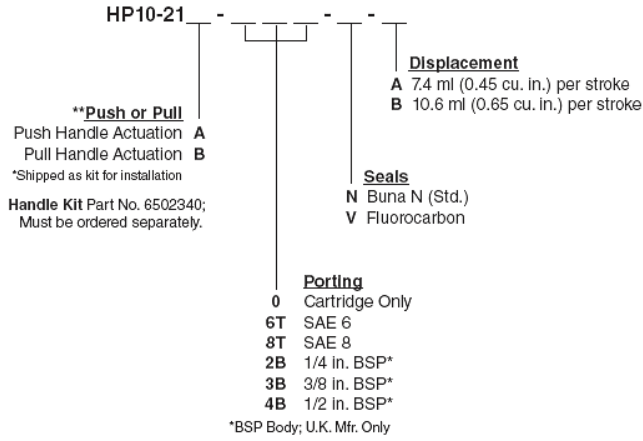
Maximum allowable torque 305 N-m (225 ft-lb)

## Accessories

Accessories 40 cm (16 in) long handle with plastic grip (p/n: 6502340)  
 Seal kit SK10-2N-T



Order Code



Model Options

HP10-21F-H-J-R

F Actuation Option

CODE	DESCRIPTION
A	Push to Pressurize
B	Pull to Pressurize

H Line Body

CODE	DESCRIPTION
0	No Body
6T	Aluminum SAE 6
8T	Aluminum SAE 8
6TD	Ductile Iron SAE 6
8TD	Ductile Iron SAE 8
2B	Aluminum BSPP 1/4" (2)
3B	Aluminum BSPP 3/8" (3)
4B	Aluminum BSPP 1/2" (4)
4BD	Ductile Iron BSPP 1/2" (4)

J Seal

CODE	DESCRIPTION
N	Buna-N
V	Fluorocarbon
P	Polyurethane
U	PPDI Urethane

R Displacement Option

CODE	DESCRIPTION
A	0.45 in3 (7.4 ml) per Stroke
B	0.65 in3 (10.6 ml) per Stroke